



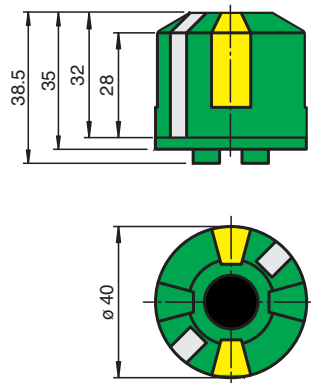
# Activator

## BT34

- Two fixed operating surfaces offset by 180°
- Suitable for right and left rotating drives

Activator for F25 series

### Dimensions



### Technical Data

#### Mechanical specifications

Shaft diameter	≥ 34 mm
Tightening torque, fastening screws	1.5 Nm

#### General information

Supplementary information	Activator sits on top of the shaft
---------------------------	------------------------------------

Release date: 2021-04-13 Date of issue: 2021-04-13 Filename: 046701\_eng.pdf

Refer to "General Notes Relating to Pepperl+Fuchs Product Information".

Pepperl+Fuchs Group  
www.pepperl-fuchs.com

USA: +1 330 486 0001  
fa-info@us.pepperl-fuchs.com

Germany: +49 621 776 1111  
fa-info@de.pepperl-fuchs.com

Singapore: +65 6779 9091  
fa-info@sg.pepperl-fuchs.com